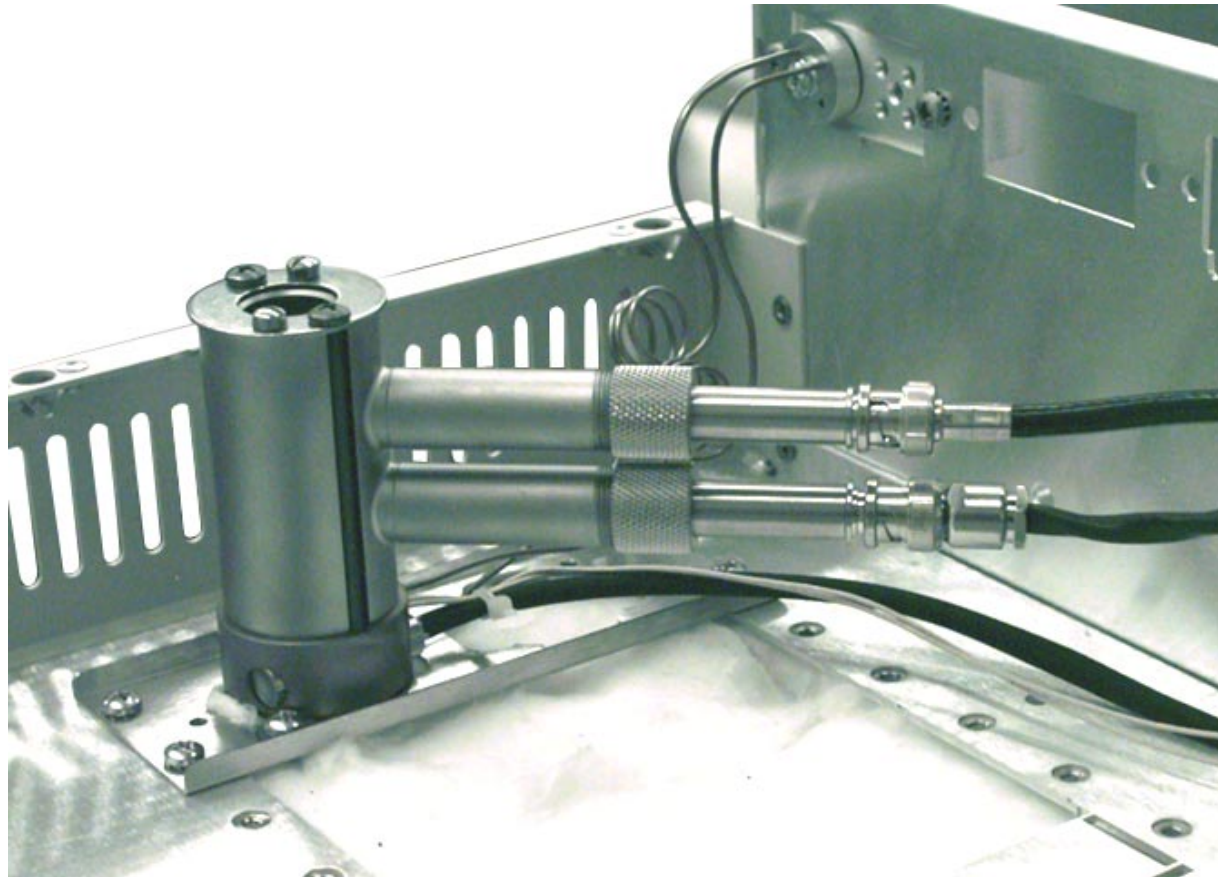


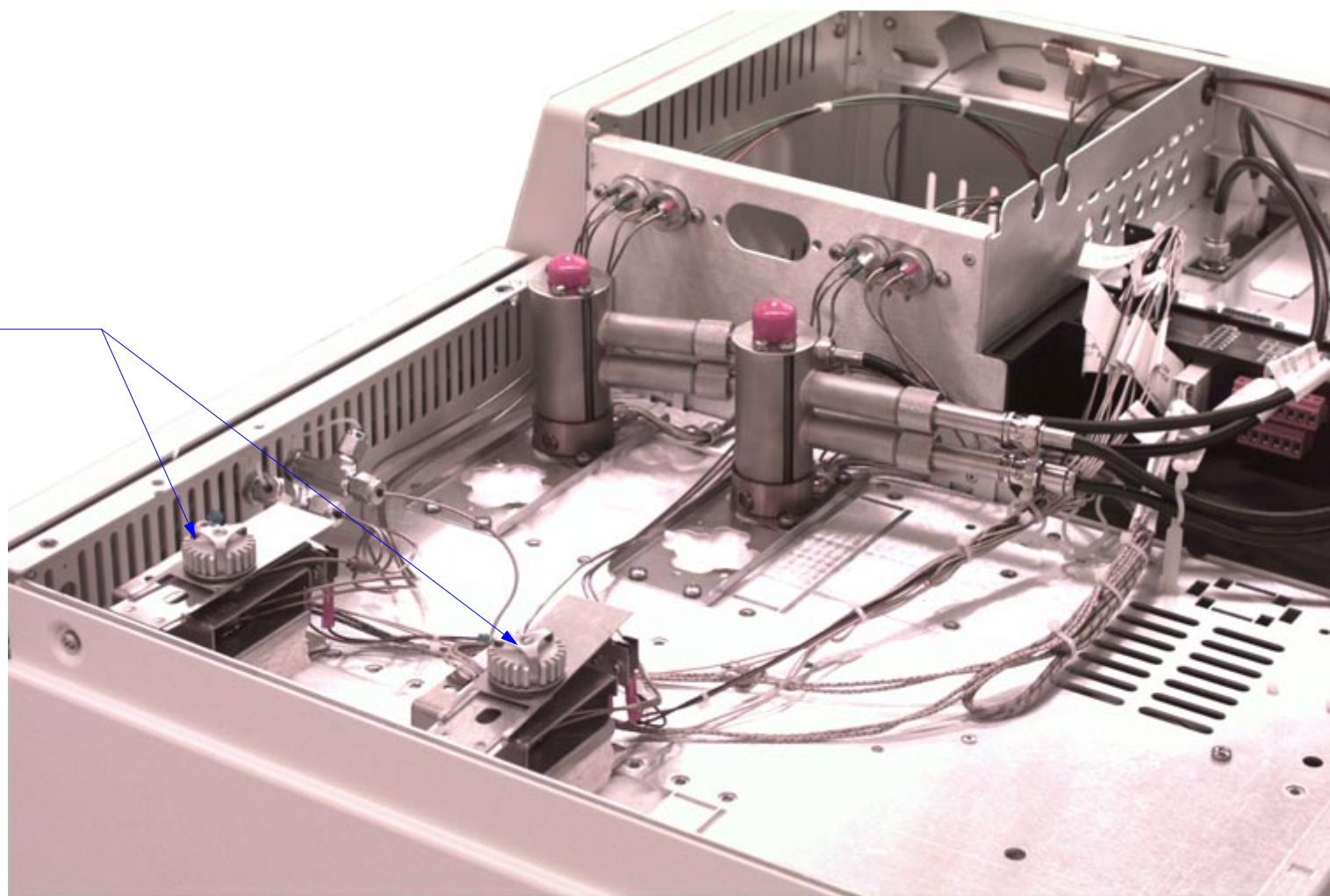
FID INSTALLATION

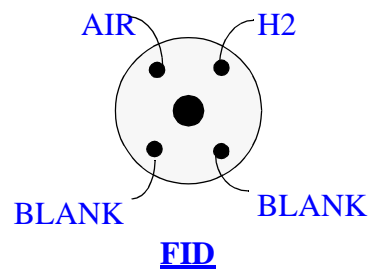
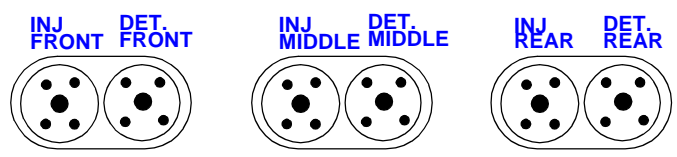
Subassembly



3800 TWIN 8200 A/S INJ. & DET. LOCATION & ORIENTATION

INJ. POSITION 1 & 4





MANIFOLD PLUMBING

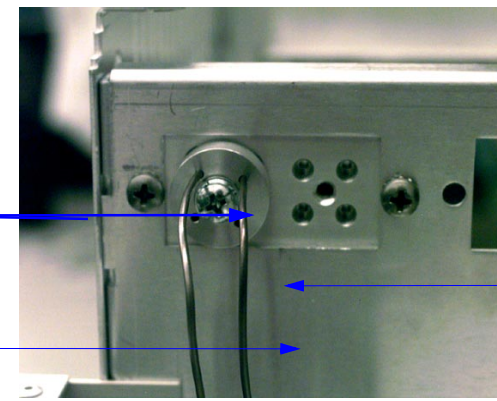
03-917142-00
VITON FERRULE

12-901150-00
SCREW

03-917141-00
CONDYNE PLATE

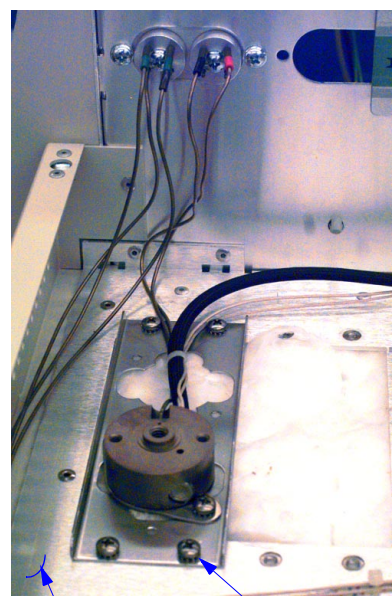
REF.
ONLY

H2 BOTTOM
LINE FROM
DET. BASE,
RED



AIR TOP
LINE FROM
DET. BASE,
BLACK

DETECTOR SIDE MANIFOLD



REF. OUTER
OVENTOP

12-901163-00
SCREW, 4EA

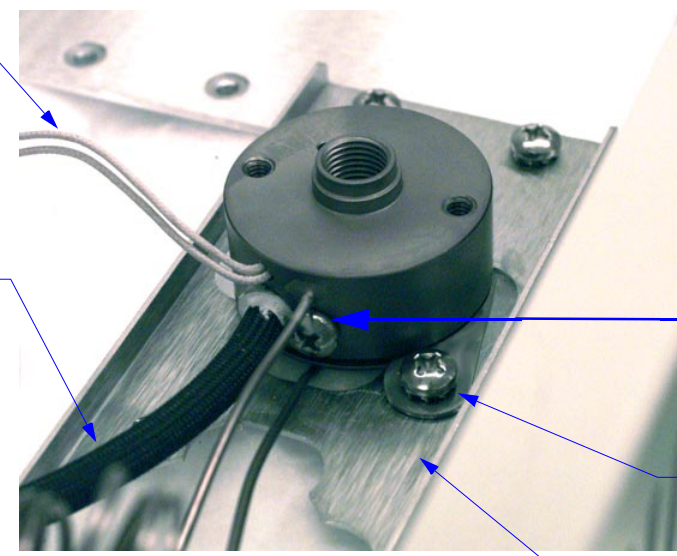
DETECTOR BASE MOUNTING

03-925374-01
TEMPERATURE PROBE

03-925396-01
120V HTR. ION

03-925396-02
220V HTR. ION

03-925396-03
101V HTR. ION



12-901165-00
SCREW

12-901163-00
SCREW, 2EA

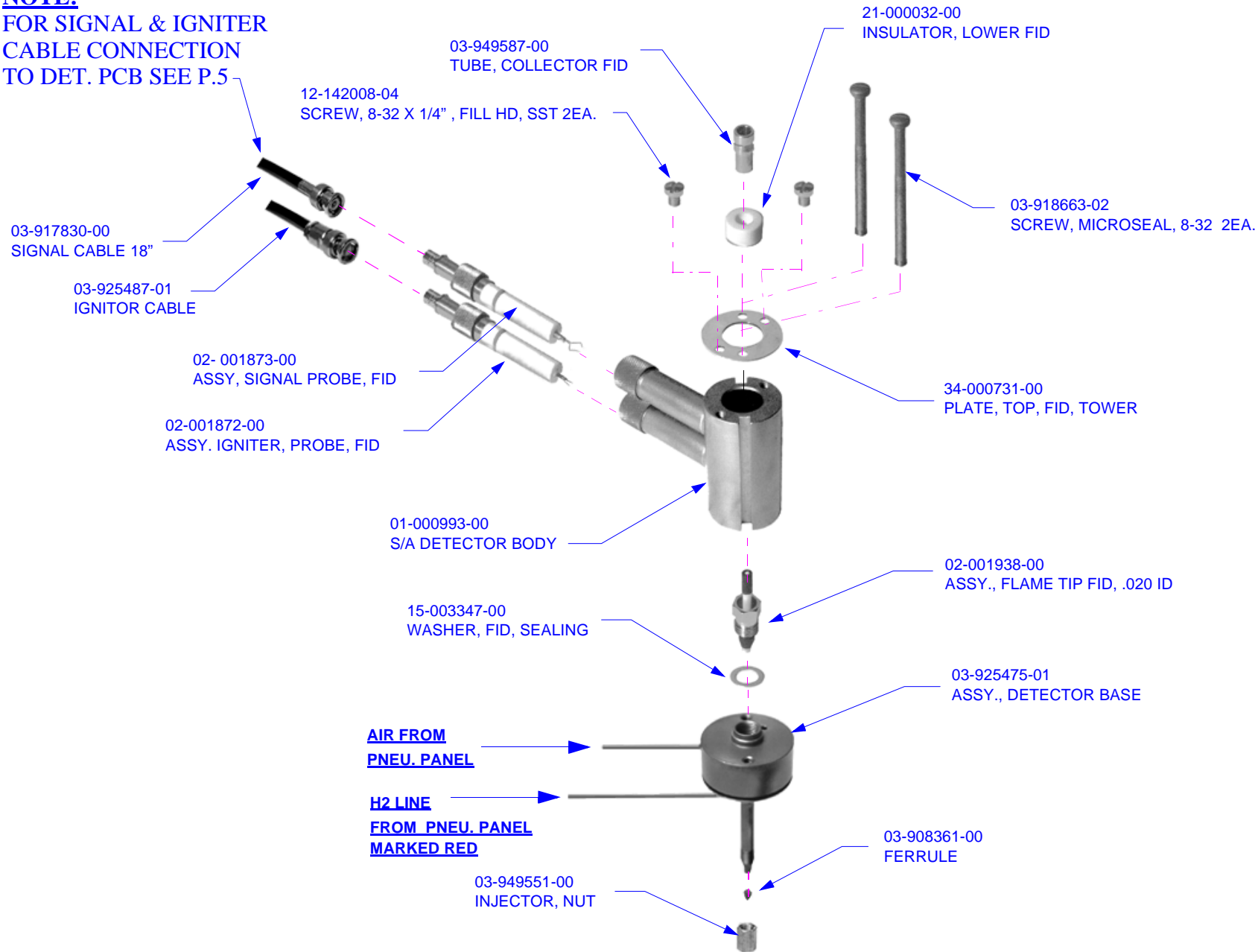
-03-925526-01
DETECTOR BASE CLIP

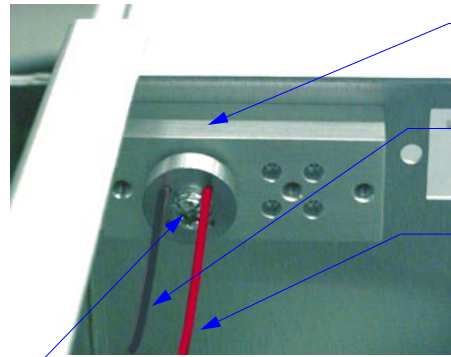
03-925326-01
DETECTOR MOUNTING BASE

CLICK HERE
FOR PROBE
CONNECTION TO
J41 ON MAIN BD.

CLICK HERE FOR
HEATER CONNECTION
J41 ON POWER BOARD

NOTE:
FOR SIGNAL & IGNITER
CABLE CONNECTION
TO DET. PCB SEE P.5





REFERENCE ONLY
PNEU. MANIFOLD

03-918853-06
PEEK TUBING, BLACK, AIR IN

HYDROGEN LINE
FROM PNEU PANEL
TO DETECTOR RED

03-917065-00
VALVE, COMB-S, BLACK, AIR

12-222008-05
8-32 X 3/8" LG. SCREW 6EA

03-917065-01
VALVE, COMB-S, RED, HYDROGEN

**MAKE-UP
INLET**

03-917142-00
VITON FERRULE

03-918853-06
PEEK TUBING, BLACK, AIR
OUT TO MANIFOLD

REF.
ONLY

12-901150-00
SCREW

03-917141-00
CONDYNE PLATE

03-918853-04
PEEK TUBING, BLUE, M/U IN

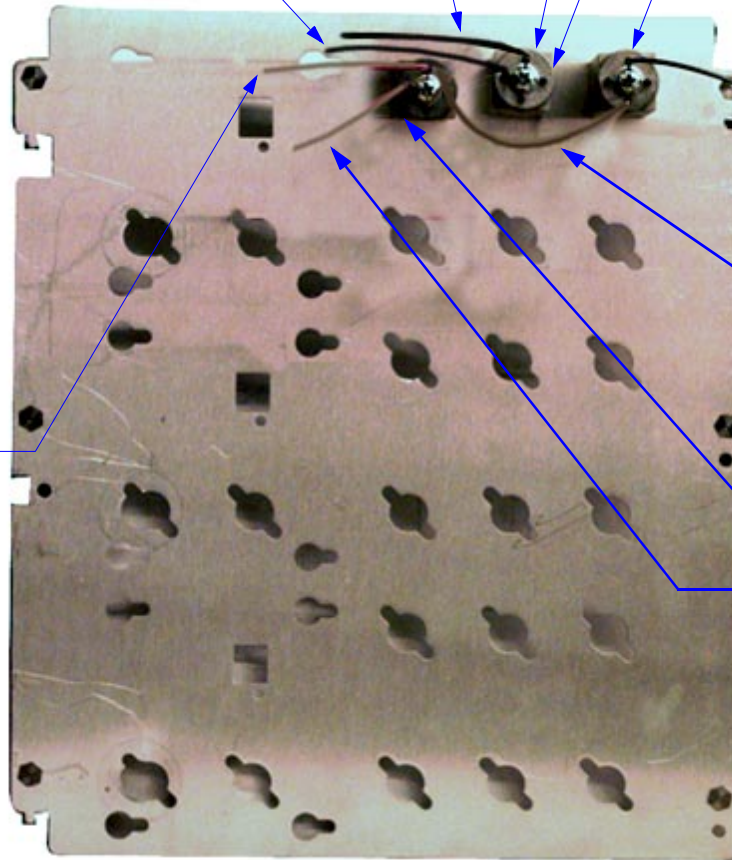
PNEUMATICS SIDE MANIFOLD

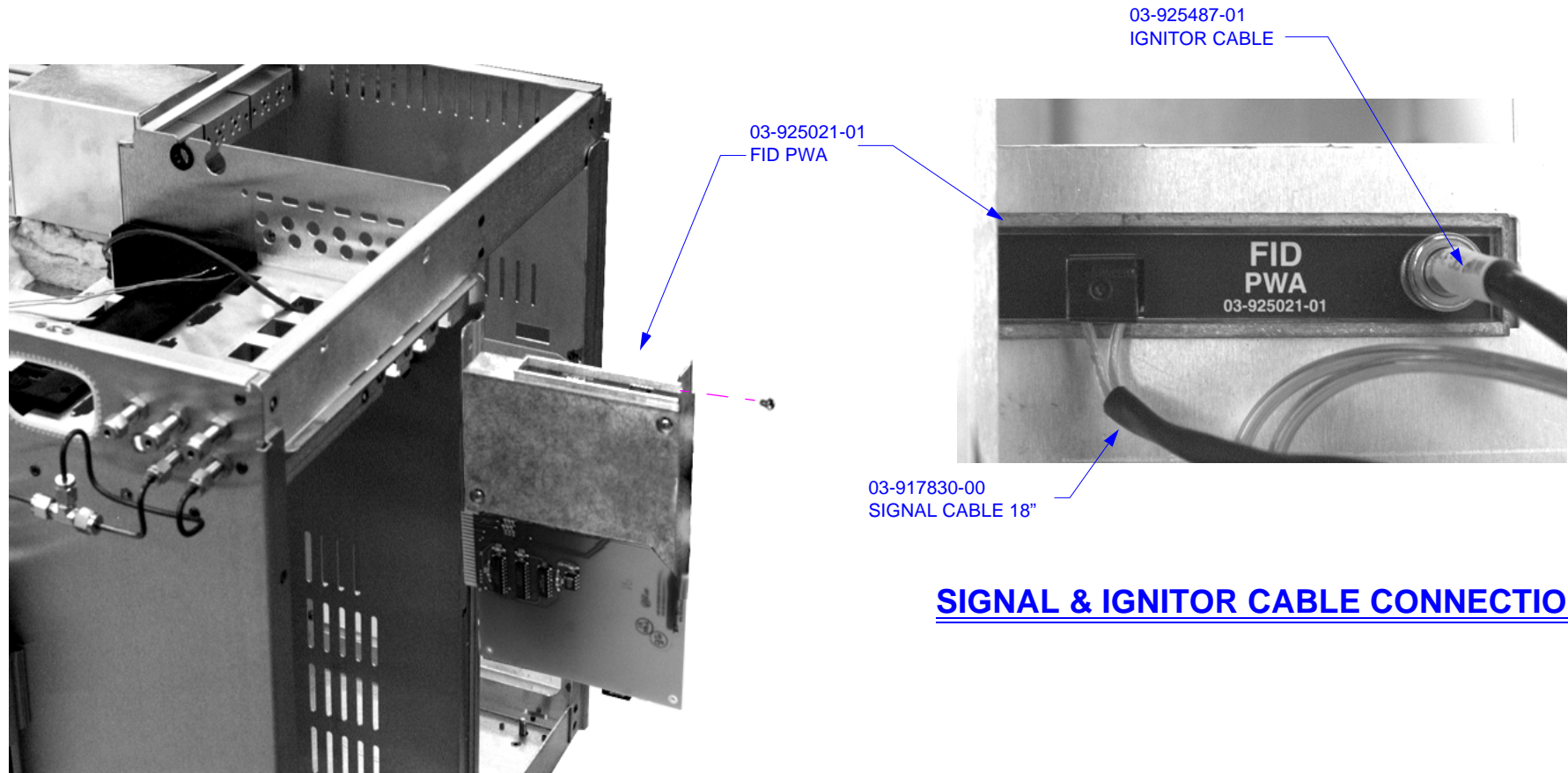
03-918853-02
PEEK TUBING, CONNECTOR

03-918853-05
PEEK TUBING, RED, H2 IN

03-917065-01
VALVE, COMB-S, RED, HYDROGEN

03-918853-05
PEEK TUBING, RED, H2 OUT TO MANIFOLD





SIGNAL & IGNITOR CABLE CONNECTION

FID PWA INSTALLATION